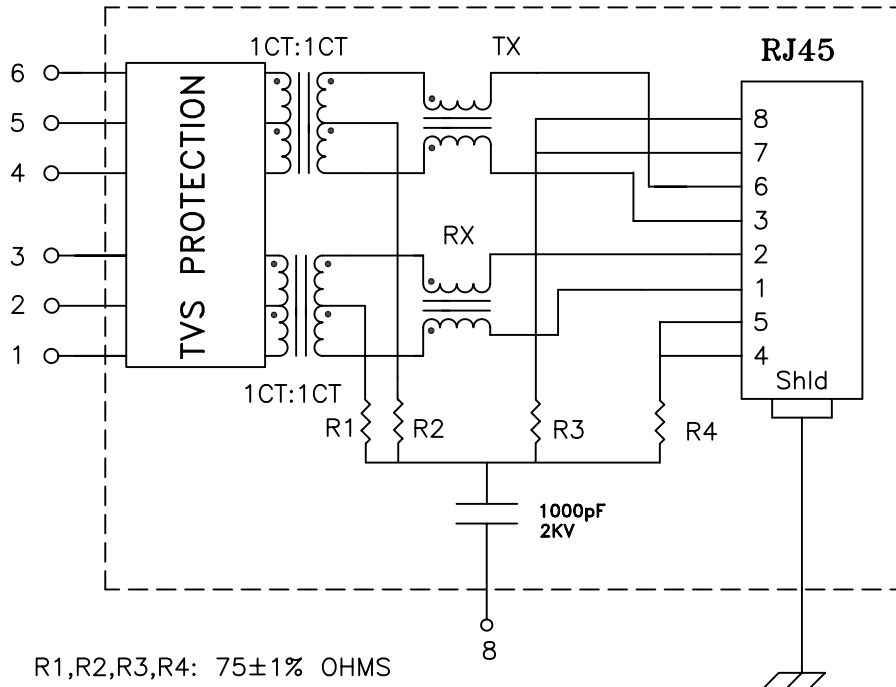


Schematic:



Electrical Specifications: @25°C

Isolation Voltage: 1500 Vrms (Input to Output)

Isolation Voltage: 500 Vrms (P1+2+3 to P4+5+6)

Turns Ratio: TX 1CT:1CT ±3% RX 1CT:1CT ±3%

CABLE SIDE OCL: 350uH Minimum @100KHz 100mV 8mADC

Cw/w: 27pF Typical @100KHz 100mV

Insertion Loss (300KHz-100MHz): -1.00dB Min

Return Loss: @30MHz -18dB Minimum

@80MHz -12dB Minimum

Notes:

1. Solderability: Leads shall meet MIL-STD-202G, Method 208H for solderability.
2. Flammability: UL94V-0
3. ASTM oxygen index: > 28%
4. Insulation System: Class F 155°C. UL file E151556
5. Operating Temperature Range: All listed parameters are to be within tolerance from -40°C to +85°C
6. Storage Temperature Range: -55°C to +125°C
7. Aqueous wash compatible
8. Electrical and mechanical specifications 100% tested
9. RoHS Compliant Component
10. Designed to meet GR1089 Intra-Building Lightning Standard

DOC REV: B/1

XFMRs Inc.

Title: **SINGLE PORT COMBO**

UNLESS OTHERWISE SPECIFIED

P/N: XFATM9DM-COMB01-4MS

REV. B

TOLERANCES:

DWN.

Xianyi

Aug-21-09

.xxx ±0.010

CHK.

YK Liao

Aug-21-09

Dimensions in Inch

APP.

BW

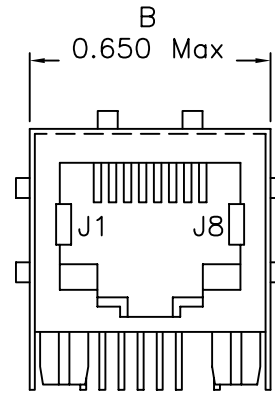
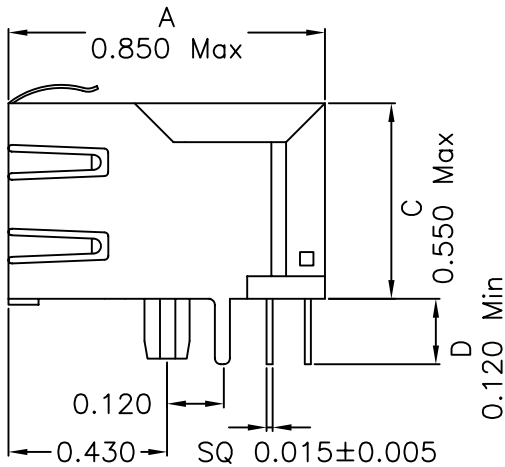
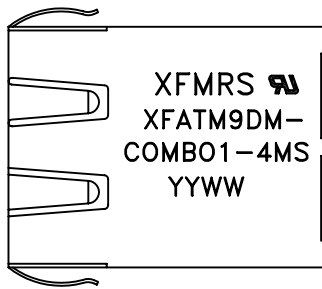
Aug-21-09

SHEET 1 OF 2

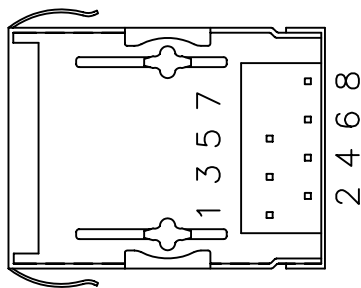
PROPRIETARY

Document is the property of XFMRs Group & is not allowed to be duplicated without authorization.

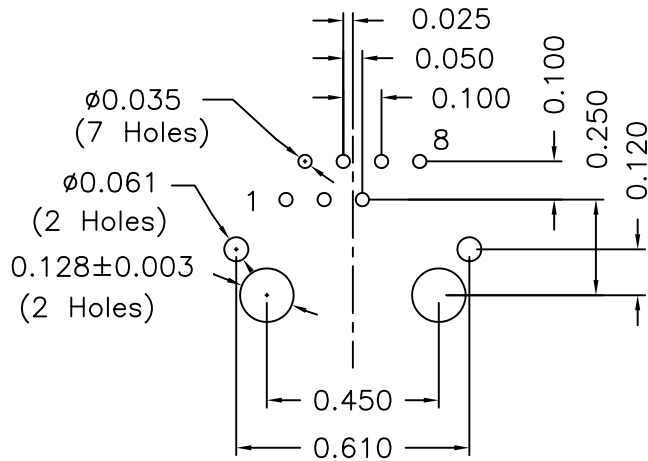
Mechanical Dimensions:



***Remove Pin#7



(BOTTOM VIEW)



Mounting Pattern:

(FOR COMBO1-4MS)
(COMP SIDE)

DOC REV: B/1

PROPRIETARY

Document is the property of XFMRS Group & is not allowed to be duplicated without authorization.

XFMRS Inc.	Title: Mechanical Dimensions For COMBO1-4MS Series		
	UNLESS OTHERWISE SPECIFIED TOLERANCES: .xxx ±0.010 Dimensions in Inch	P/N: XFATM9DM-COMBO1-4MS	REV. B
SHEET 2 OF 2	DWN.	Xiany	Aug-21-09
	CHK.	YK Liao	Aug-21-09
	APP.	BW	Aug-21-09